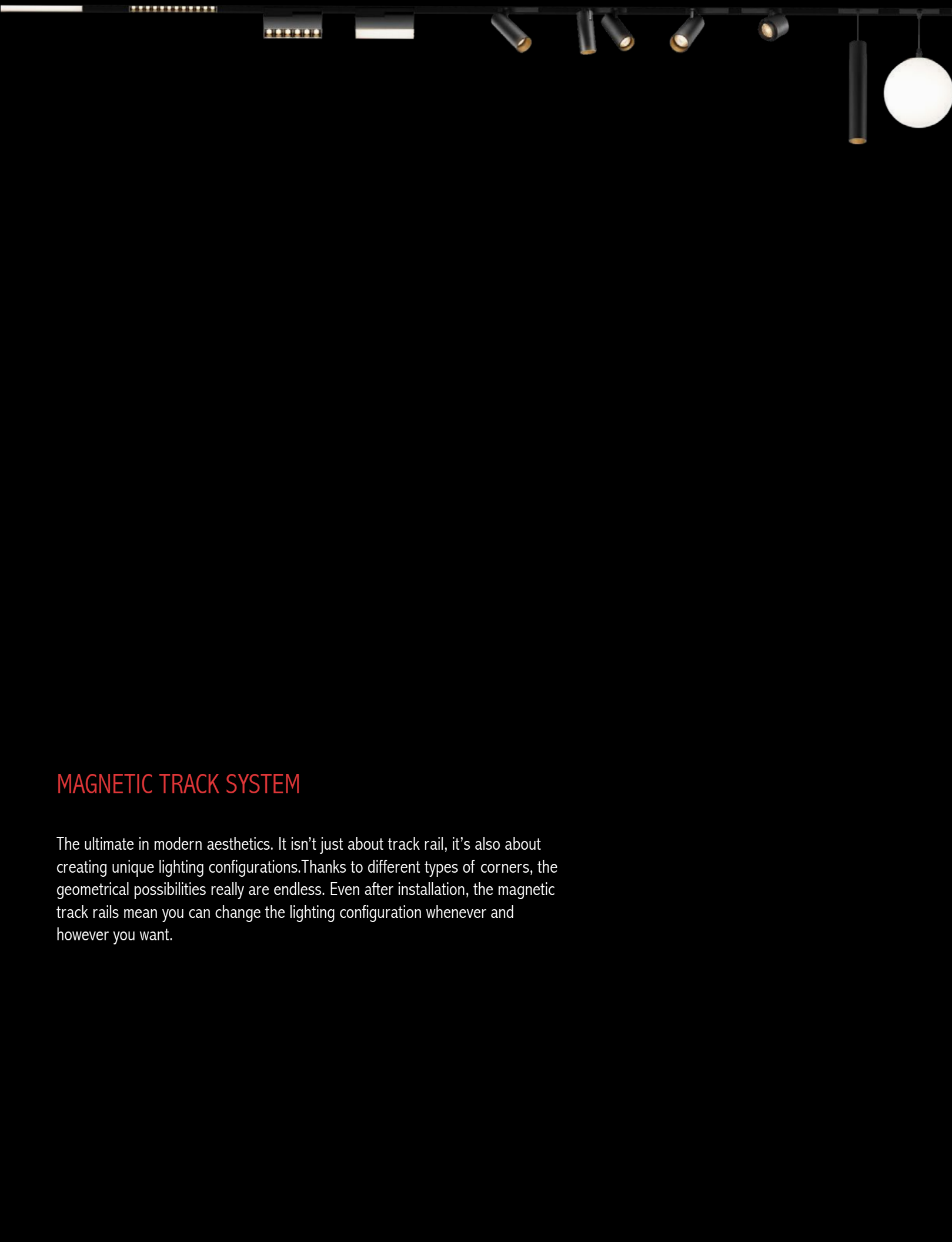


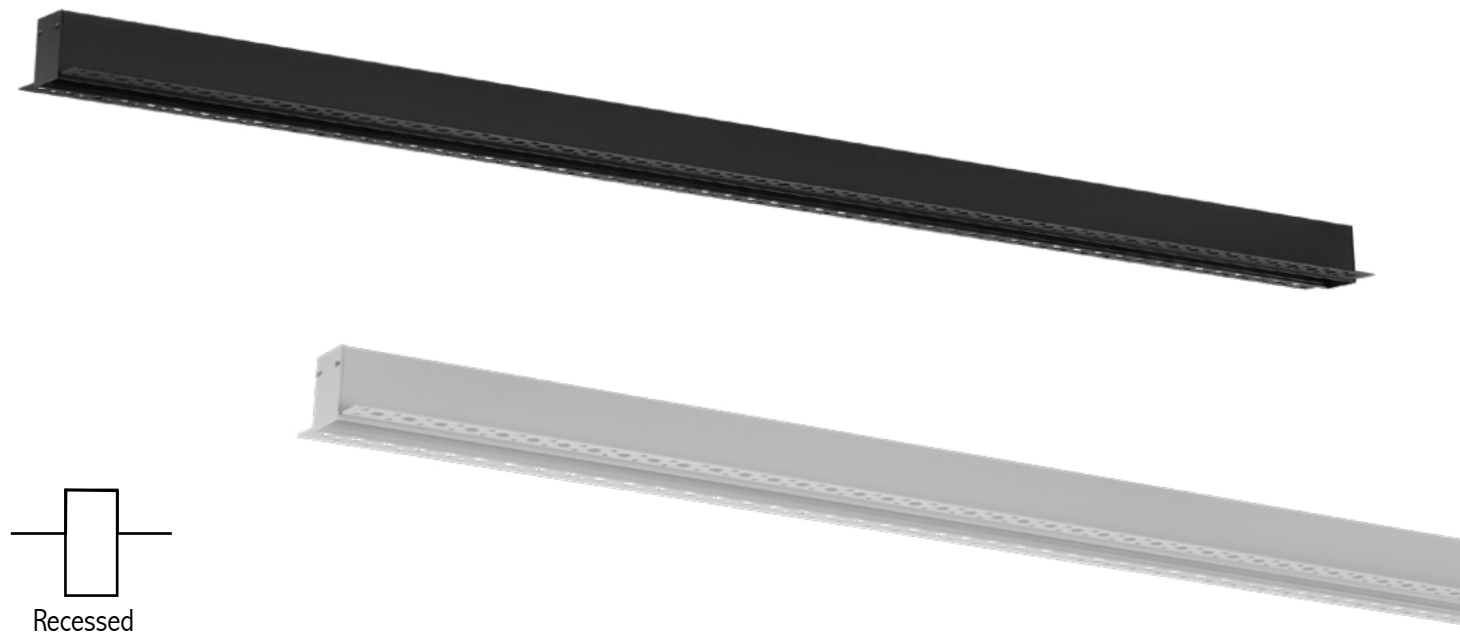


Magnetic Track System



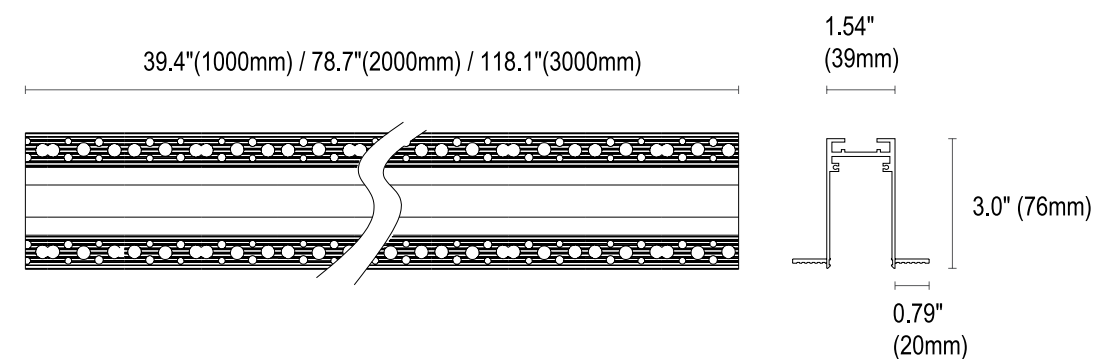
MAGNETIC TRACK SYSTEM

The ultimate in modern aesthetics. It isn't just about track rail, it's also about creating unique lighting configurations. Thanks to different types of corners, the geometrical possibilities really are endless. Even after installation, the magnetic track rails mean you can change the lighting configuration whenever and however you want.



MAGNETIC TRACK PROFILE RECESSED WITH FLANGE

This magnetic track is Recessed with Flange. It isn't just about track rail, it's also about creating unique lighting configurations. Thanks to different types of corners, the geometrical possibilities really are endless. Light components, ranging from linear, wall washer to adjustable spotlights and decorative pendants snap in the track magnetically, without tools. Standard length is available in 1, 2 & 3 meter sections.



SPECIFICATION

Material: Aluminum
Color: RAL9004 Black/RAL 9003 White
Input Voltage: 24Vdc
Input Current: 8A Max

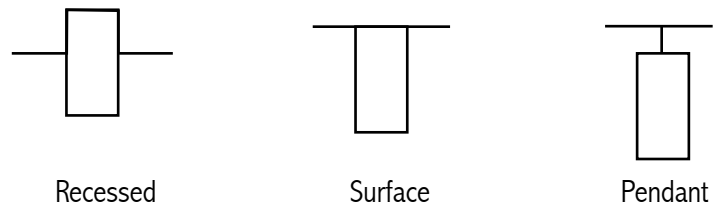


Magnetic Track System

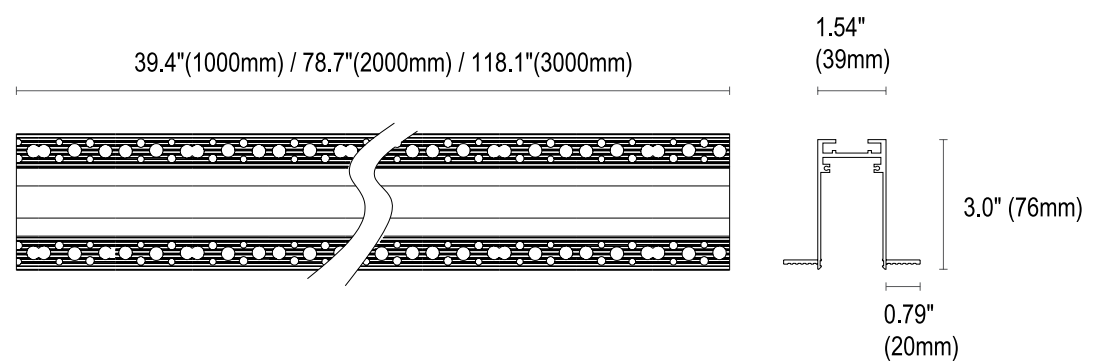
SurFace | Recessed | Pendant



MAGNETIC TRACK PROFILE



This magnetic track is Recessed with Flange. It isn't just about track rail, it's also about creating unique lighting configurations. Thanks to different types of corners, the geometrical possibilities really are endless. Light components, ranging from linear, wall washer to adjustable spotlights and decorative pendants snap in the track magnetically, without tools. Standard length is available in 1, 2 & 3 meter sections.



SPECIFICATION

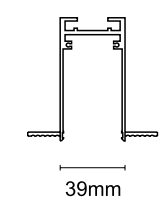
- Material: Aluminum
- Color: RAL9004 Black/RAL 9003 White
- Input Voltage: 24Vdc
- Input Current: 8A Max



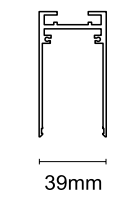
Seamless Connection



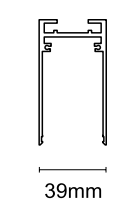
Recessed



Surface
Pendant
Recessed



Surface
Pendant
Recessed

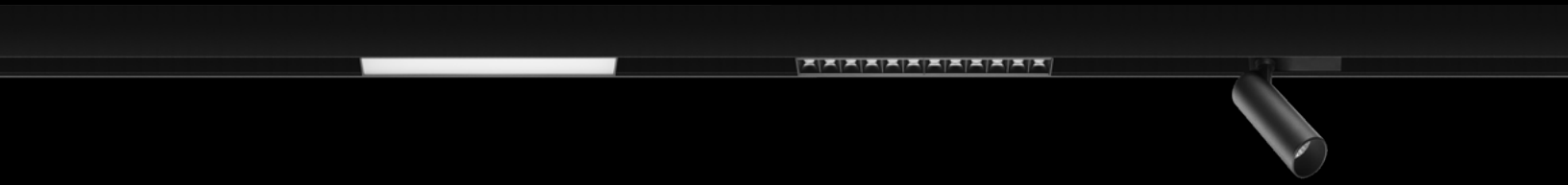


Input Terminal

Connector



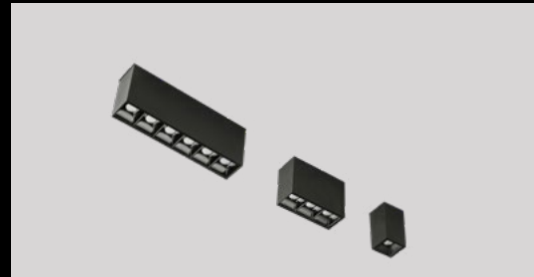
MAGNETIC TRACK Lighting System



More than 25 modules to meet our Magnetic track lighting system



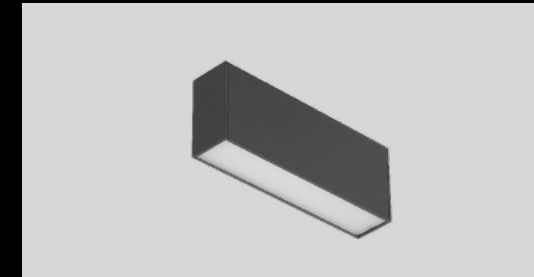
CYLINDER



DOT



DOT



LIN



METEOR



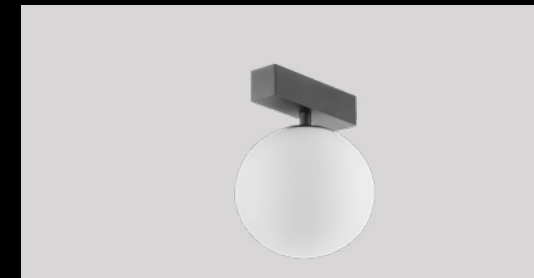
BELL



BELL



BELL



GLOWBALL



GLOWBALL



CYLINDER SPOT



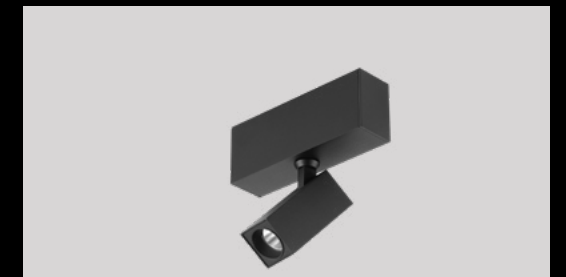
CYLINDER SPOT



CYLINDER SPOT



CYLINDER SPOT



SQUARE SPOT



ROUND SPOT



JASPER



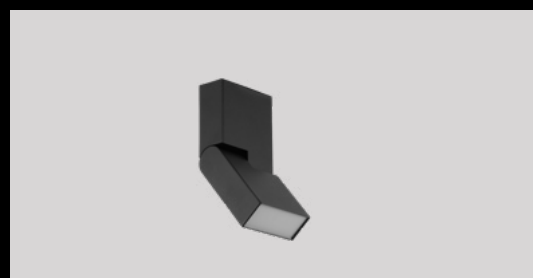
FOLD



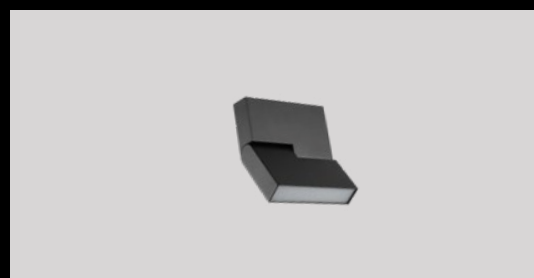
FOLD



FOLD



FOLD



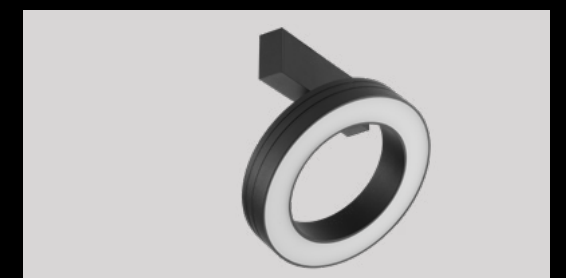
FOLD



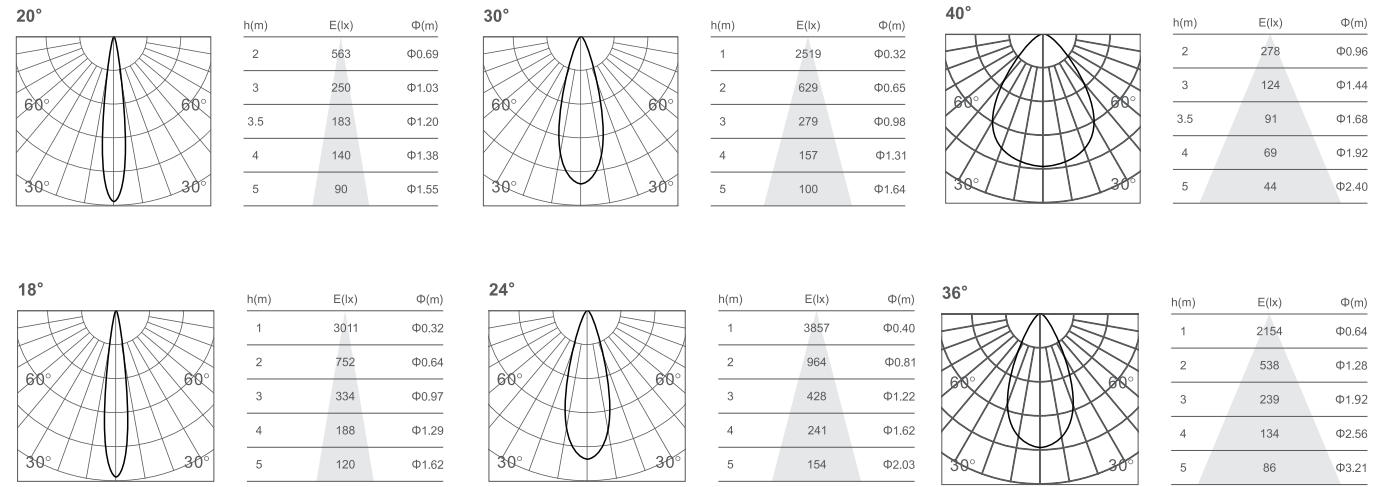
FOLD



ADJUSTABLE RING



ADJUSTABLE RING



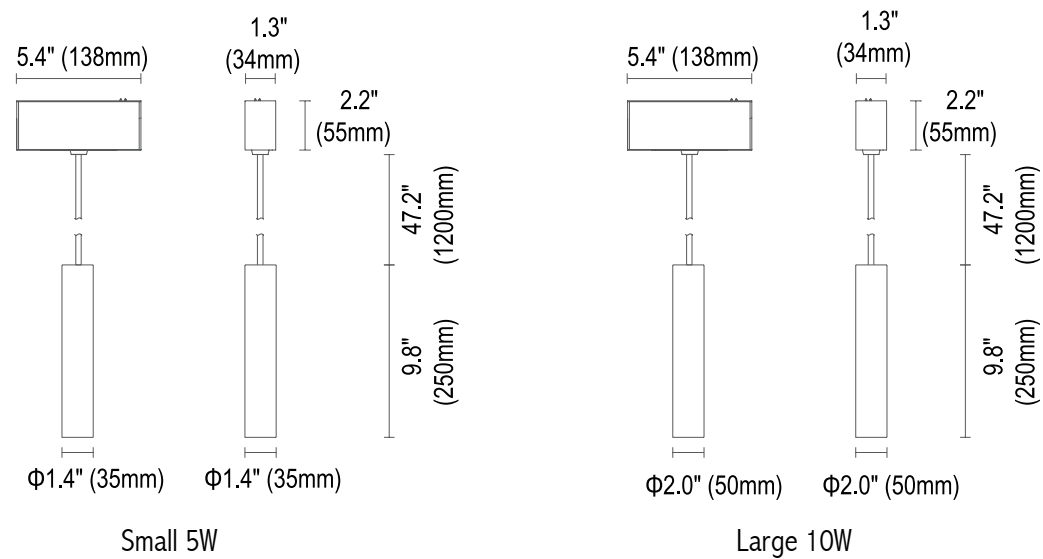
CYLINDER PENDANT SERIES MAGNETIC TRACK LIGHT

Elegant body coating and antiglare cover. Thanks to the length adjustable cable, the magnetic pendant works smooth in different spaces. Comfortable lighting without glare. Minimal glare and multiple light beams.

Input Watts (Nominal): 5W, 10W
 Output Lumens (@3000K): 440lm, 780lm
 Input Voltage: 120-277V, 347/480 for option
 Lumen Per Watt: 88lm/W, 78lm/W
 Color Rendering Index: 90



Beam angle: 12/34/48°
 CCT: 2700K/3000K/4000K
 CRI: RA90
 DIM: Triac,0/1-10V,
 Installation: Magnetic
 Environment: Indoor



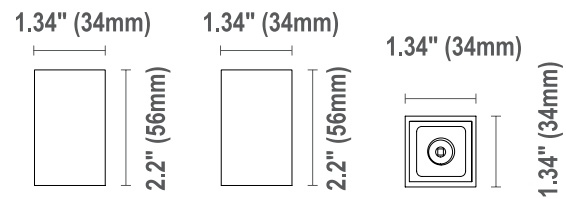




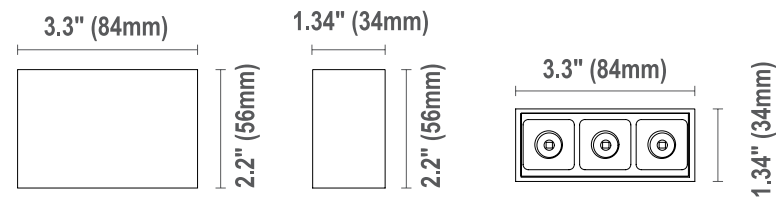
DOT SERIES MAGNETIC TRACK LIGHT

The dot series is ideal for spot lighting. This design features a deep antiglare spot lens that allows for multiple beam angles, and is available in different wattages and lengths with elegant clean body.

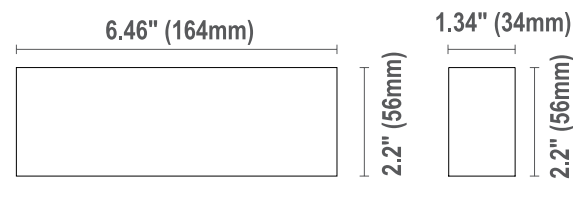
2W



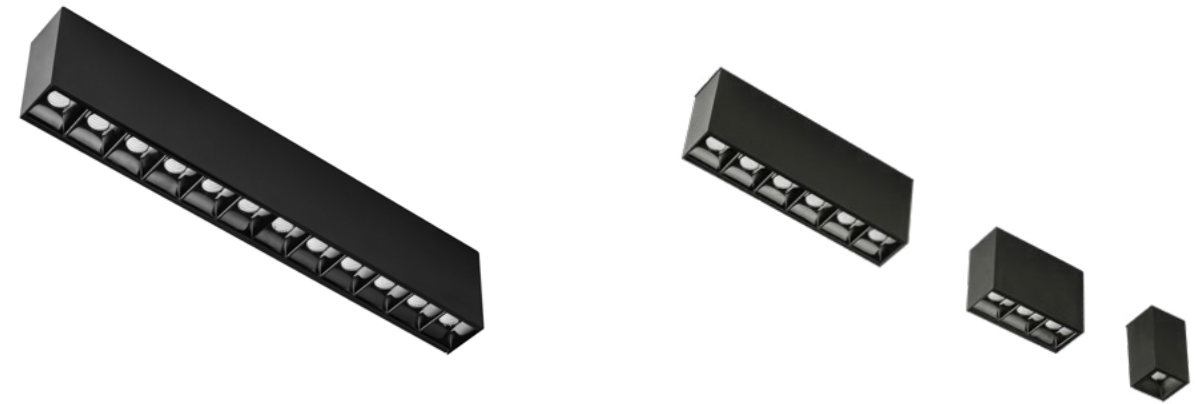
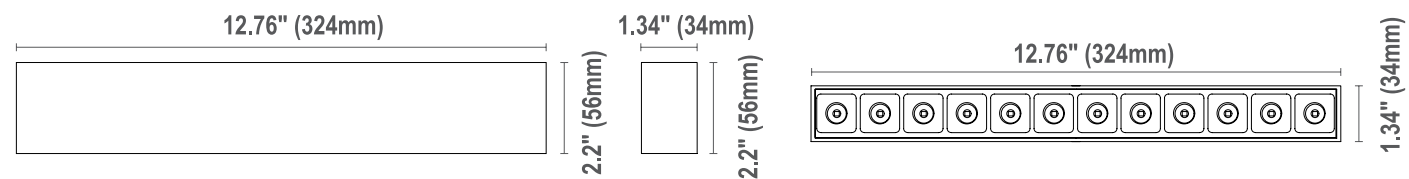
4W



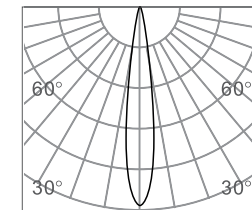
8W



16W

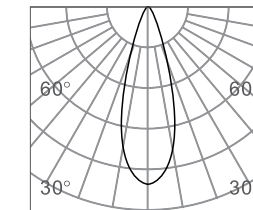


12°



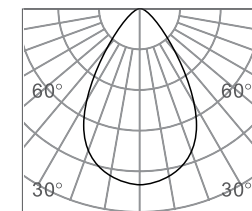
h(m)	E(lx)	Φ(m)
1	3693	Φ0.23
2	923	Φ0.47
3	410	Φ0.71
4	230	Φ0.94
5	147	Φ1.18

34°



h(m)	E(lx)	Φ(m)
1	1238	Φ0.61
2	309	Φ1.22
3	137	Φ1.83
4	77	Φ2.44
5	49	Φ3.05

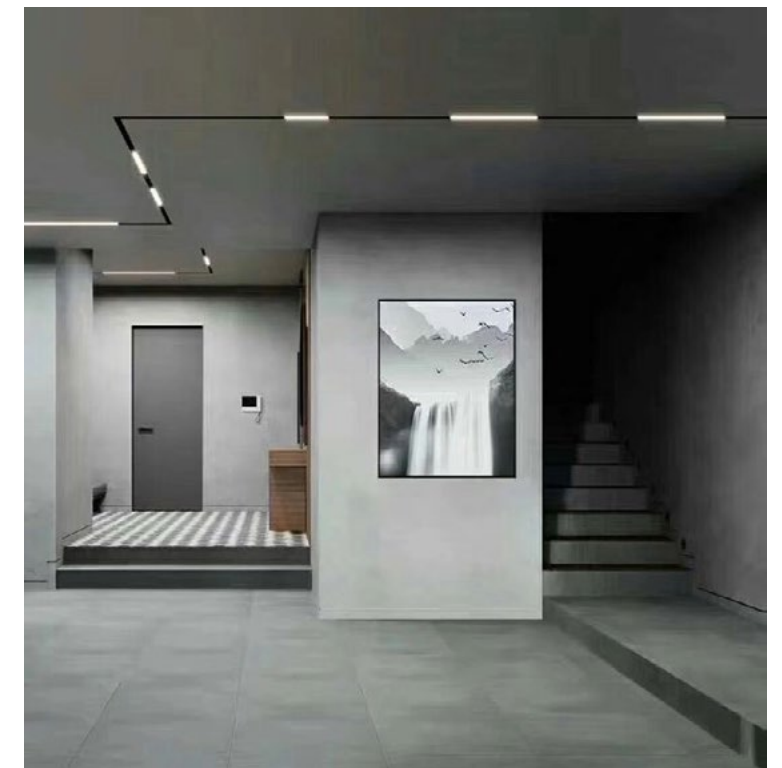
48°



h(m)	E(lx)	Φ(m)
1	778	Φ0.91
2	194	Φ1.82
3	86	Φ2.73
4	48	Φ3.64
5	31	Φ4.55

Input Watts (Nominal): 2W, 4W, 8W, 16W
 Output Lumens (@3000K): 120lm, 380lm, 730lm, 1430lm
 Input Voltage: 120-277V, 347/480 for option
 Lumen Per Watt: 60lm/W, 95lm/W, 92lm/W, 89lm/W
 Color Rendering Index: 90

Beam angle: 12/34/48°
 CCT: 2700K/3000K/4000K
 CRI: RA90
 DIM: Triac,0/1-10V,
 Installation: Magnetic
 Environment: Indoor

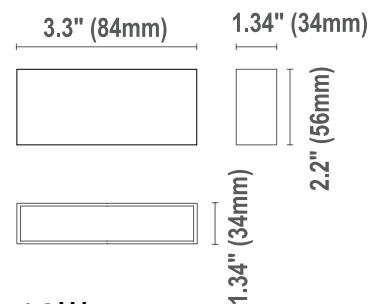




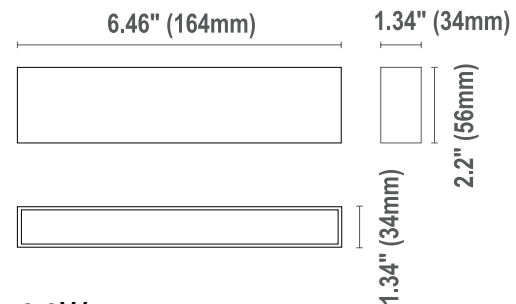
LIN SERIES MAGNETIC TRACK LIGHT

The LIN series is a linear lighting solution designed to work with our Magnetic Track System. It features a low glare diffused lens and is available in several different wattage/ length combinations all housed in an elegant body.

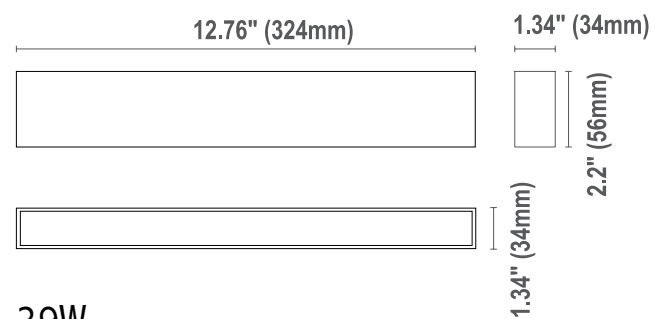
4W



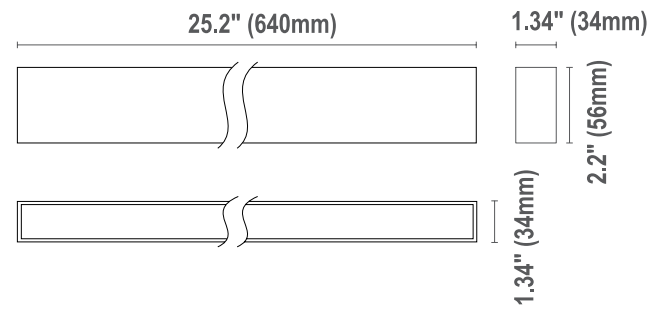
7W



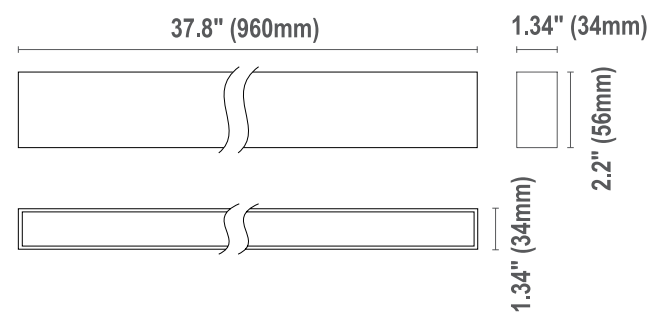
13W



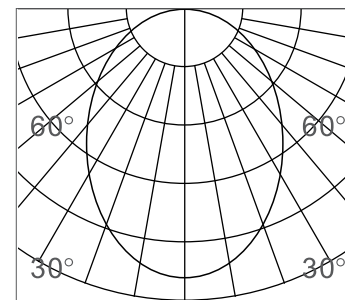
26W



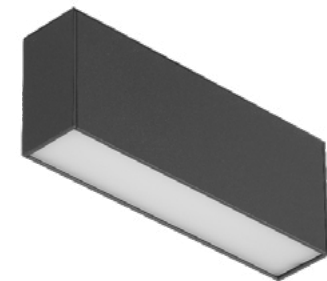
39W



Diffuse



h(m)	E(lx)	Φ(m)
1	105.5	Φ2.60
2	26.3	Φ5.20
3	11.7	Φ7.80
4	6.5	Φ10.40
5	4.2	Φ13.00



Input Watts (Nominal): 4W, 7W, 13W, 26W, 39W

Output Lumens (@3000K): 220lm, 490lm, 900lm, 1720lm, 2550lm,

Input Voltage: 24V

Lumen Per Watt: 55lm/W, 70lm/W, 69lm/W, 66lm/W, 65lm/W

Color Rendering Index: 90

CCT: 2700K/3000K/4000K

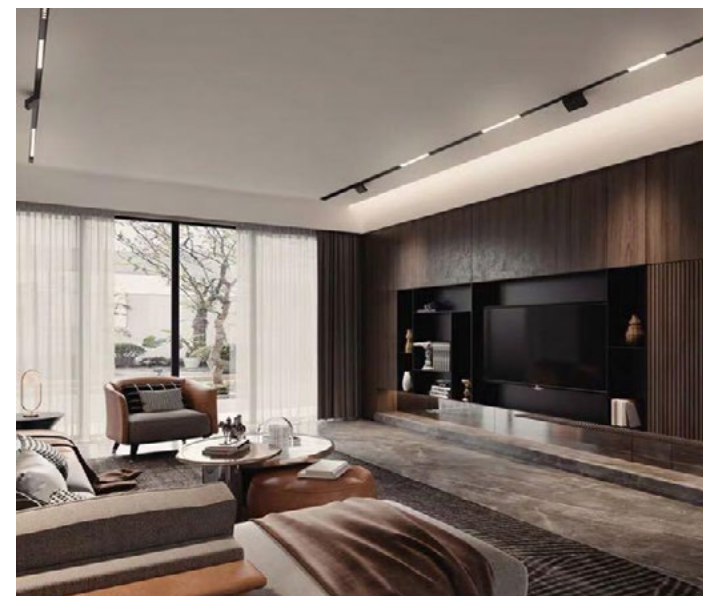
CRI: RA90

Lens: Diffused

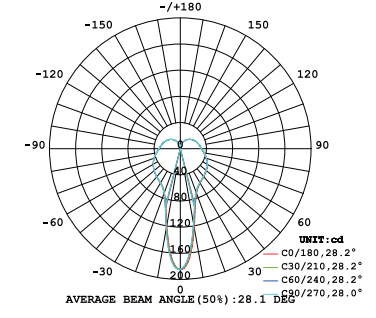
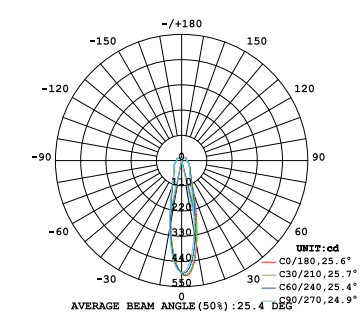
DIM: Triac,0/1-10V,

Installation: Magnetic

Environment: Indoor







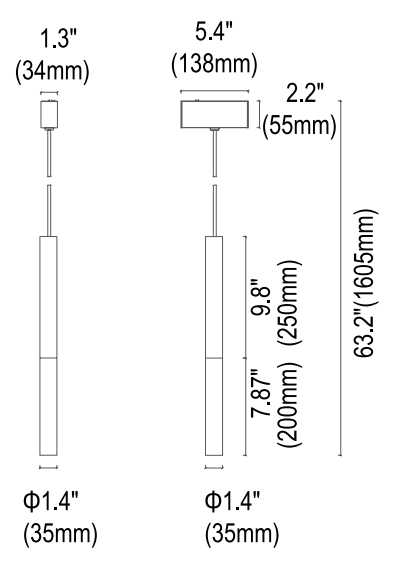
METEOR PENDANT SERIES MAGNETIC TRACK LIGHT

Not only for decoration, it's professional in atmosphere creation by precious light control. Thanks to the length adjustable cable, the magnetic pendant works smooth in different spaces. Comfortable lighting without glare.

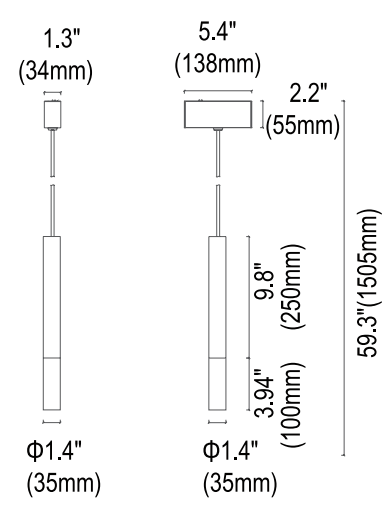
Input Watts (Nominal): 5W, 5W
 Output Lumens (@3000K): 460lm, 460lm
 Input Voltage: 24V
 Lumen Per Watt: 92lm/W, 92lm/W
 Color Rendering Index: 90

CCT: 2700K/3000K/4000K
 CRI: RA90
 Lens: Diffused
 DIM: Triac, 0/1-10V,
 Installation: Magnetic
 Environment: Indoor

Small 5W



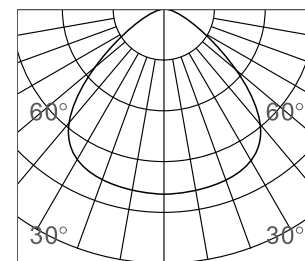
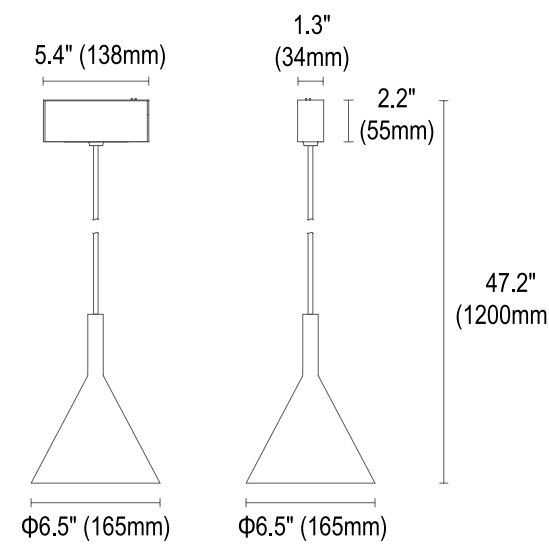
Large 10W





BELL PENDANT SERIES MAGNETIC TRACK LIGHT

The bell pendant is for decoration and general lighting. Elegant body coating. 65° beam angle. Comfortable lighting without glare. Thanks to the length adjustable cable, the magnetic pendant works smooth in different spaces.



h(m)	E(lx)	Φ(m)
1	500	Φ1.20
2	125	Φ2.40
3	55.6	Φ3.60
4	31.2	Φ4.80
5	20	Φ6.00

Input Watts (Nominal): 10W
 Output Lumens (@3000K): 480lm
 Input Voltage: 24V
 Lumen Per Watt: 48lm/W
 Color Rendering Index: 90

CCT: 2700K/3000K/4000K
 CRI: RA90
 DIM: Triac, 0/1-10V,
 Installation: Magnetic
 Environment: Indoor





MARGAUX

GOLDEN HOUR
5 - 6PM
12 - CLOSE

BARBOTAGE 16
CHAMPAGNE, LEMON, SUGAR
CHERRY COBBLER 16
VANILLA, LEMON, SWEET CORN
CLASSIC AMERICAN 16
WHISKY, VERMOUTH, GIN, SODA
COFFEE FRAPPE 12
RUM, COGNAC, COFFEE
OYSTERS & CHAMPAGNE 39

BEER

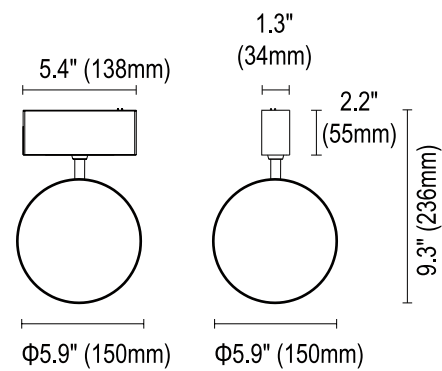
BECK'S BANQUET



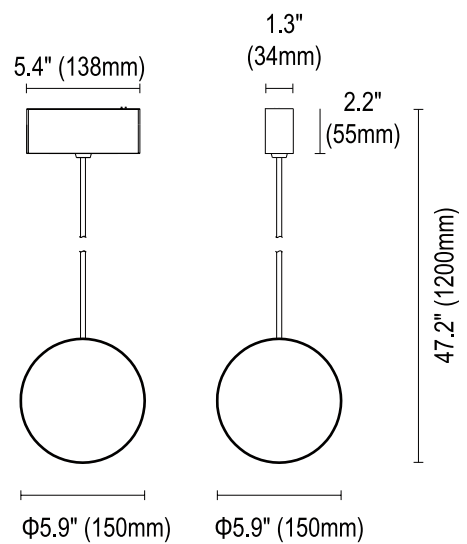
GLOWBALL SERIES MAGNETIC TRACK LIGHT

Our Glowball Series Magnetic Track Light is designed for decorative and general lighting. The diffuse spherical glass lens yields a smooth uniform light output, and the fixture is available as both a pendant or surface mounted to our 24V magnetic track system.

Surface Mount



Pendant Mount



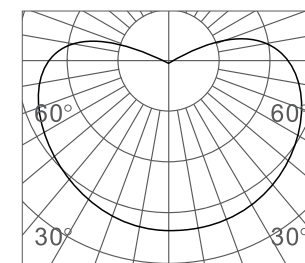
Input Watts (Nominal): 5W
 Output Lumens (@3000K): 290lm
 Input Voltage: 24V
 Lumen Per Watt: 58lm/W
 Lens: Diffused
 Color Rendering Index: 90

CCT: 2700K/3000K/4000K
 CRI: RA90
 DIM: Triac, 0/1-10V,
 Installation: Magnetic
 Environment: Indoor



2700K 80Ra

Diffuse



h(m)	E(lx)	Φ(m)
1	24	Φ2
2	6	Φ4
3	2	Φ6
4	1	Φ8
5	0.9	Φ10

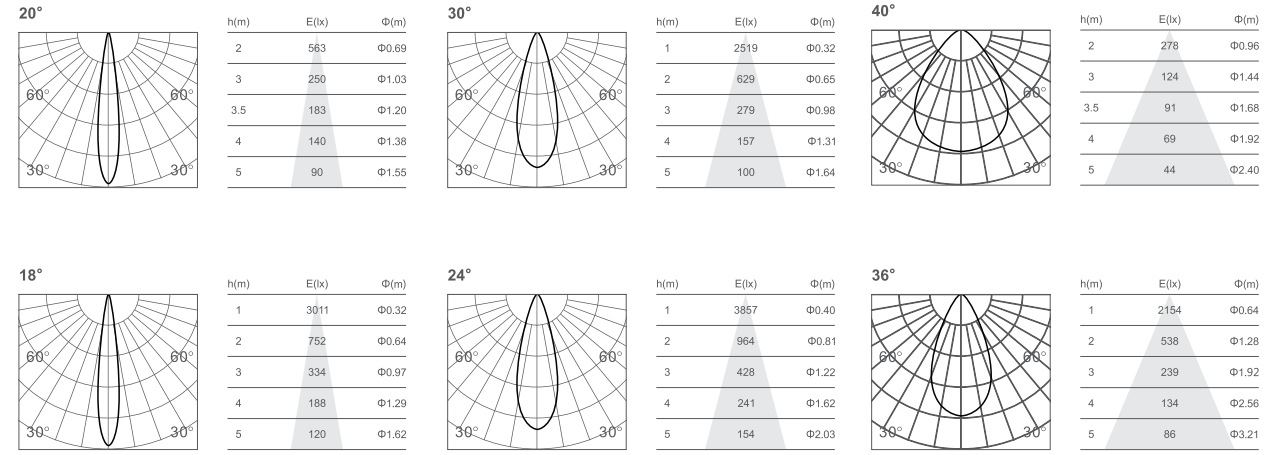




Small 5W Small 2x5W Medium Spot 10W Large Spot 20W

CYLINDER SPOT SERIES MAGNETIC TRACK LIGHT

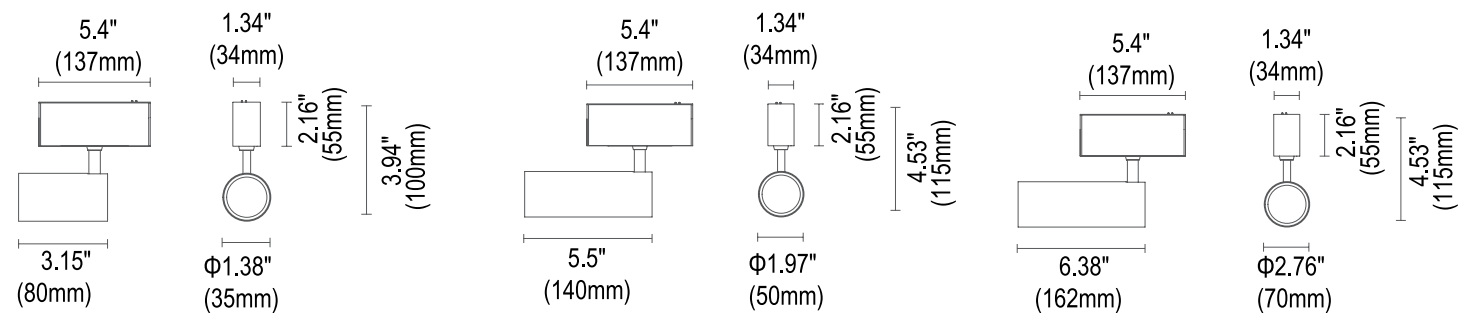
Two sizes with three different beam angles. Junction arm integrated in the spotlight's body to keep the barycentre aligned with the track. This junction arm allows 360° rotation in horizontal direction and 90° rotation in vertical direction.



Small 5W and 10W

Medium 10W

Large 20W



Input Watts (Nominal): 5W, 10W, 10W, 20W
 Output Lumens (@3000K): 440lm, 880lm, 780lm, 1450lm
 Input Voltage: 24V
 Lumen Per Watt: 88lm/W, 88lm/W, 78lm/W, 72lm/W
 Color Rendering Index: 90

CCT: 2700K/3000K/4000K
 CRI: RA90
 DIM: Triac, 0/1-10V,
 Installation: Magnetic
 Environment: Indoor

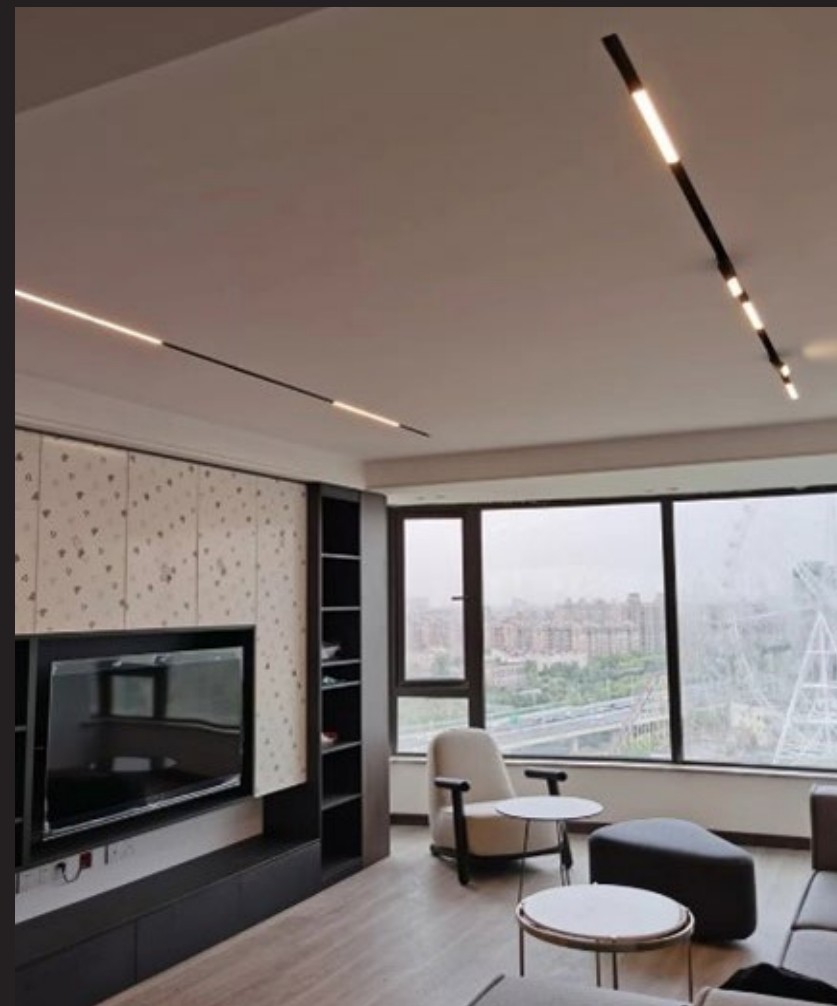




NdfeB N35 rare-earth permanent
3600(+/-10%) Gauss

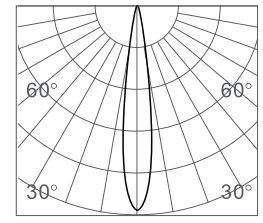


Excellent powder coating



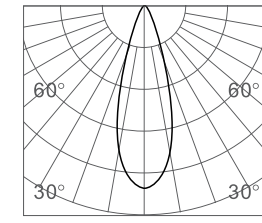


15°



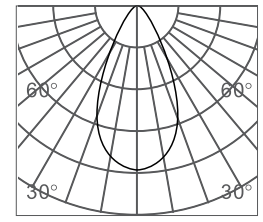
h(m)	E(lx)	Φ(m)
1	3011	Φ0.32
2	752	Φ0.64
3	334	Φ0.97
4	188	Φ1.29
5	120	Φ1.62

24°



h(m)	E(lx)	Φ(m)
1	3857	Φ0.40
2	964	Φ0.81
3	428	Φ1.22
4	241	Φ1.62
5	154	Φ2.03

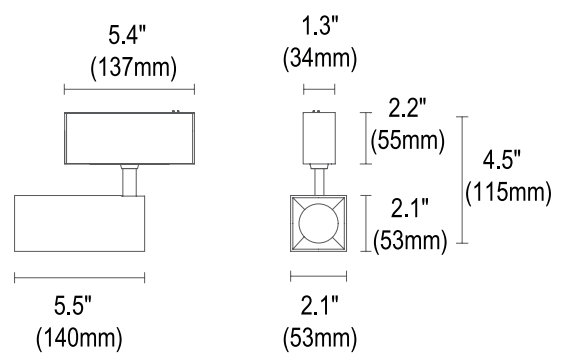
36°



h(m)	E(lx)	Φ(m)
1	2154	Φ0.64
2	538	Φ1.28
3	239	Φ1.92
4	134	Φ2.56
5	86	Φ3.21

SQUARE SPOT SERIES MAGNETIC TRACK LIGHT

Square shape with three different beam angles. The junction arm is integrated in the Spots body, keeping the body centered on the track while allowing for 360° rotation along the horizontal plane and 90° rotation along the vertical plane.



Input Watts (Nominal): 10W
Output Lumens (@3000K): 600lm
Input Voltage: 24V
Lumen Per Watt: 60lm/W
Color Rendering Index: 90

CCT: 2700K/3000K/4000K
CRI: RA90
DIM: Triac, 0/1-10V,
Installation: Magnetic
Environment: Indoor





Large Spot 15W



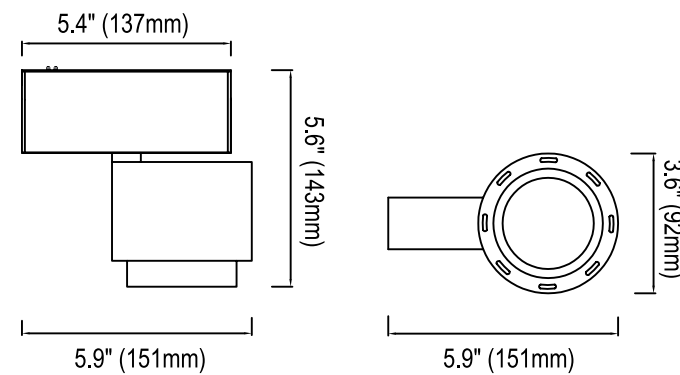
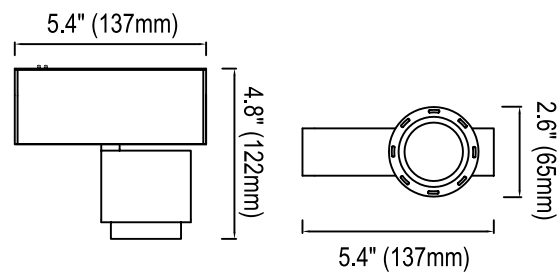
Small Spot 8W

ROUND SPOT SERIES MAGNETIC TRACK LIGHT

The Round Spot series is available in two sizes and is designed to work with our Magnetic Track System. The junction arm is integrated in the Spots body, keeping the body centered on the track while allowing for 360° rotation along the horizontal plane and 90° rotation along the vertical plane. The fixture is available in three beam angles.

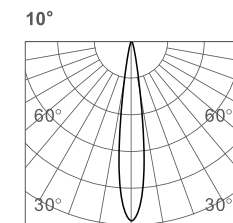
Small 8W

Large 15W

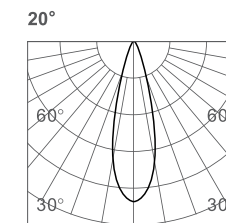


Input Watts (Nominal): 10W
 Output Lumens (@3000K): 600lm
 Input Voltage: 24V
 Lumen Per Watt: 60lm/W
 Color Rendering Index: 90

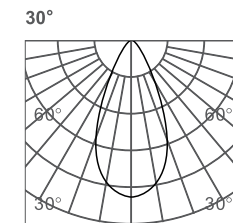
CCT: 2700K/3000K/4000K
 CRI: RA90
 DIM: Triac, 0/1-10V,
 Installation: Magnetic
 Environment: Indoor



h(m)	E(lx)	Φ(m)
2	4203	Φ0.20
3	1051	Φ0.40
3.5	467	Φ0.61
4	262	Φ0.81
5	168	Φ1.02



h(m)	E(lx)	Φ(m)
1	2675	Φ0.26
2	668	Φ0.53
3	297	Φ0.80
4	167	Φ1.06
5	107	Φ1.33



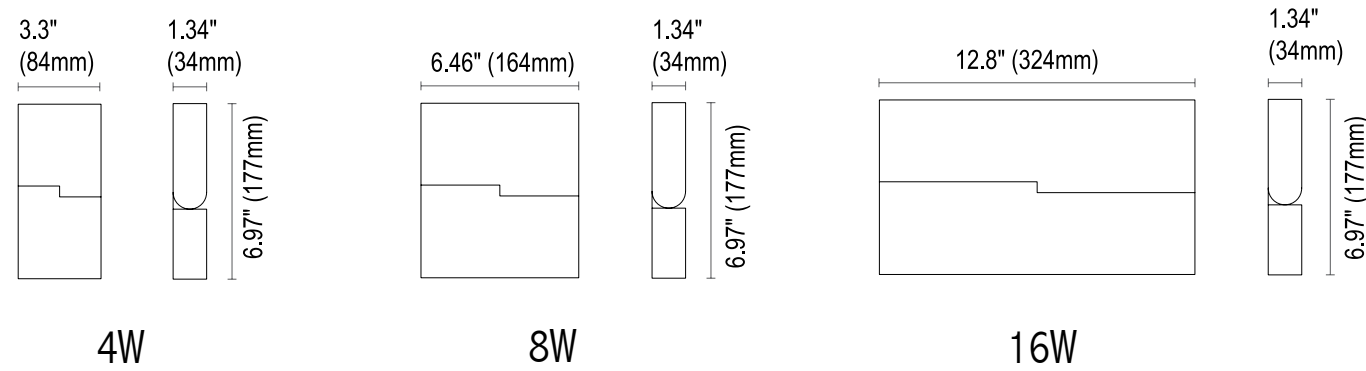
h(m)	E(lx)	Φ(m)
2	699	Φ0.53
3	174	Φ1.06
3.5	77	Φ1.60
4	43	Φ2.13
5	27	Φ2.66





FOLD SERIES MAGNETIC TRACK LIGHT

The fold series can be used as a spotlight or a wall washer. The elegant design comes with either an antiglare spotlight lens which is available in several beam angles, or a soft diffused lens. The Fold series also features a adjustable head with 90° range of motion, and mounts on our 24V magnetic track system. head with 90° range of motion, and mounts on our 24V magnetic track system.



Input Watts (Nominal): 4W, 8W, 16W
 Output Lumens (@3000K): 380lm, 790lm, 1550lm
 Input Voltage: 24V
 Lumen Per Watt: 95lm/W, 98lm/W, 97lm/W
 Lens: 12/34/48°
 Color Rendering Index: 90

Input Watts (Nominal): 4W, 8W, 16W
 Output Lumens (@3000K): 280lm, 500lm, 980lm
 Input Voltage: 24V
 Lumen Per Watt: 70lm/W, 63lm/W, 61lm/W
 Lens: Diffused
 Color Rendering Index: 90

Beam angle: 12/34/48°
 CCT: 2700K/3000K/4000K
 CRI: RA90
 DIM: Triac, 0/1-10V,
 Installation: Magnetic
 Environment: Indoor



4W with Spot Lens



8W with Spot Lens



16W with Spot Lens



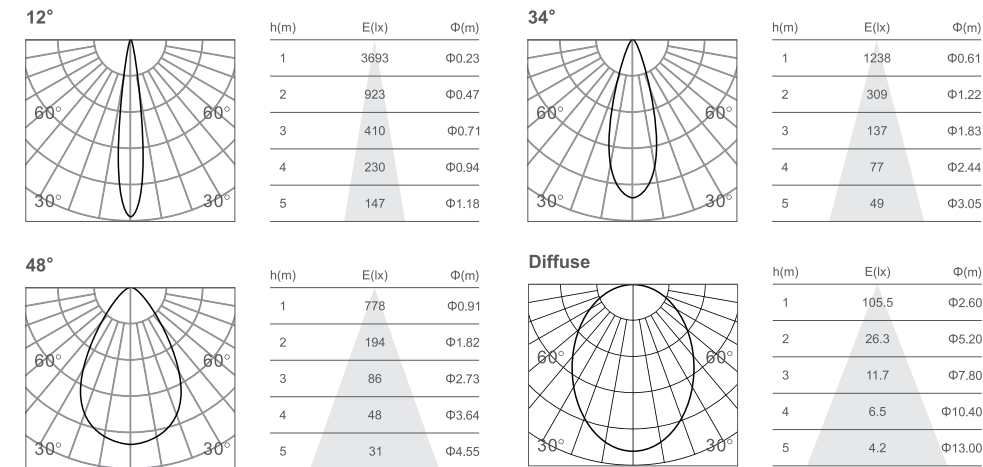
4W with Diffused Lens



8W with Diffused Lens



16W with Diffused Lens







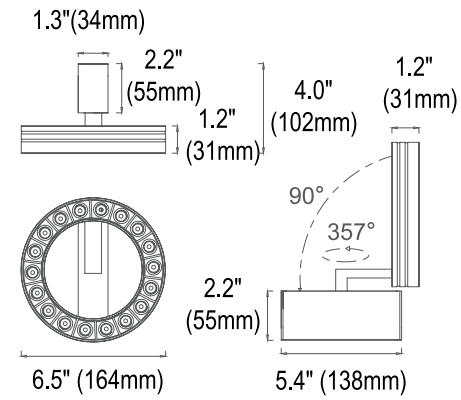
Input Watts (Nominal): 12W, 18W
 Output Lumens (@3000K): 1150lm, 1750lm
 Input Voltage: 24V
 Lumen Per Watt: 95lm/W, 97lm/W
 Lens: 20/34/48°
 Color Rendering Index: 90

Input Watts (Nominal): 12W, 18W
 Output Lumens (@3000K): 650lm, 950lm
 Input Voltage: 24V
 Lumen Per Watt: 54lm/W, 95lm/W
 Lens: Diffused
 Color Rendering Index: 90

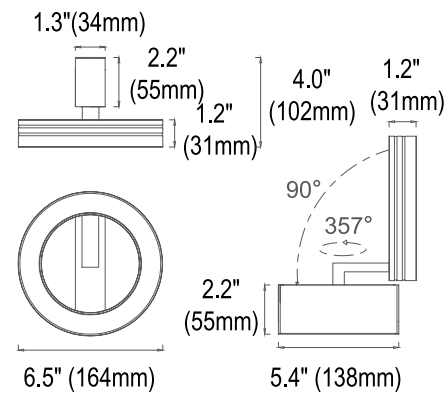
CCT: 2700K/3000K/4000K
 CRI: RA90
 DIM: Triac, 0/1-10V,
 Installation: Magnetic
 Environment: Indoor

ADJUSTABLE RING SERIES MAGNETIC TRACK LIGHT

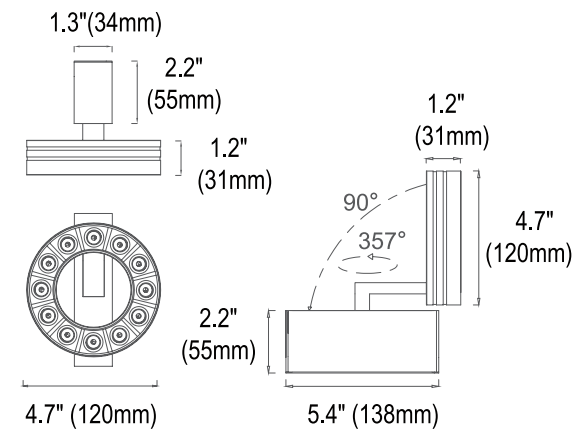
90 degree foldable and elegant circle design. Three different anti-glare spot lens and diffused glare lens to achieve multiple light beams.



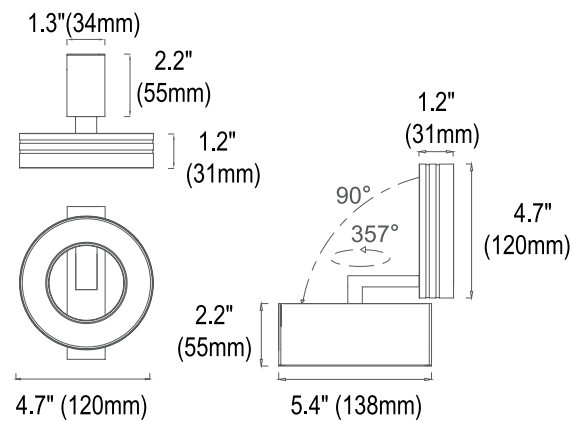
18W with Spot Lens



18W with Diffused Lens



12W with Spot Lens



12W with Diffused Lens



With Spot Lens



With Diffused Lens



COLLEGE FOOTBALL PLAYOFF TOP 25

More Driven

College Football Playoff Rankings Top 4

1. Clemson 2. Alabama 3. Oklahoma 4. Iowa

NFL last week, prior to video surfacing of Manziel allegedly partying in Texas over t

ESPN

EVENT STA

GEORGE HILL

26.5 POINTS 8.5 REBOUNDS 6.0 ASSISTANCE

BOSTON

44

GOODYEAR

STANFC

HAPPY HOUR

YOU GIVE YOU GET



Golden Inner Shade
Black Outer Shade



White Inner Shade
Black Outer Shade



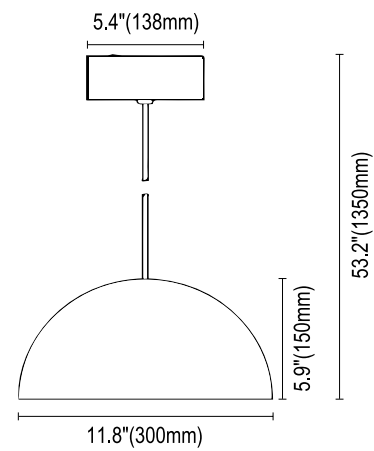
White Inner Shade
White Outer Shade

JASPER MAGNETIC TRACK LIGHT

Our Jasper Magnetic Track Light is designed for decorative and general lighting. Different inner and outer finish color. Semi spherical shape yields a smooth uniform light output, The fixture is available as pendant mounted to our 24V magnetic track system.


Input Watts (Nominal): 10W
 Output Lumens (@3000K): 460lm, 500lm, 500lm
 Input Voltage: 24V
 Lumen Per Watt: 95lm/W, 97lm/W
 Shade Color: Golden Inner Shade Black Outer Shade,
 White Inner Shade Black Outer Shade, White Inner
 Shade White Outer Shade
 Color Rendering Index: 90


CCT: 2700K/3000K/4000K
 CRI: RA90
 DIM: Triac, 0/1-10V,
 Installation: Magnetic
 Environment: Indoor





ABOVE ALL Lighting, Inc.

 1135 Thomas Busch Highway,
Pennsauken, NJ 08110

 866-222-8866

 info@aboveallighting.com

 www.AboveAllLighting.com