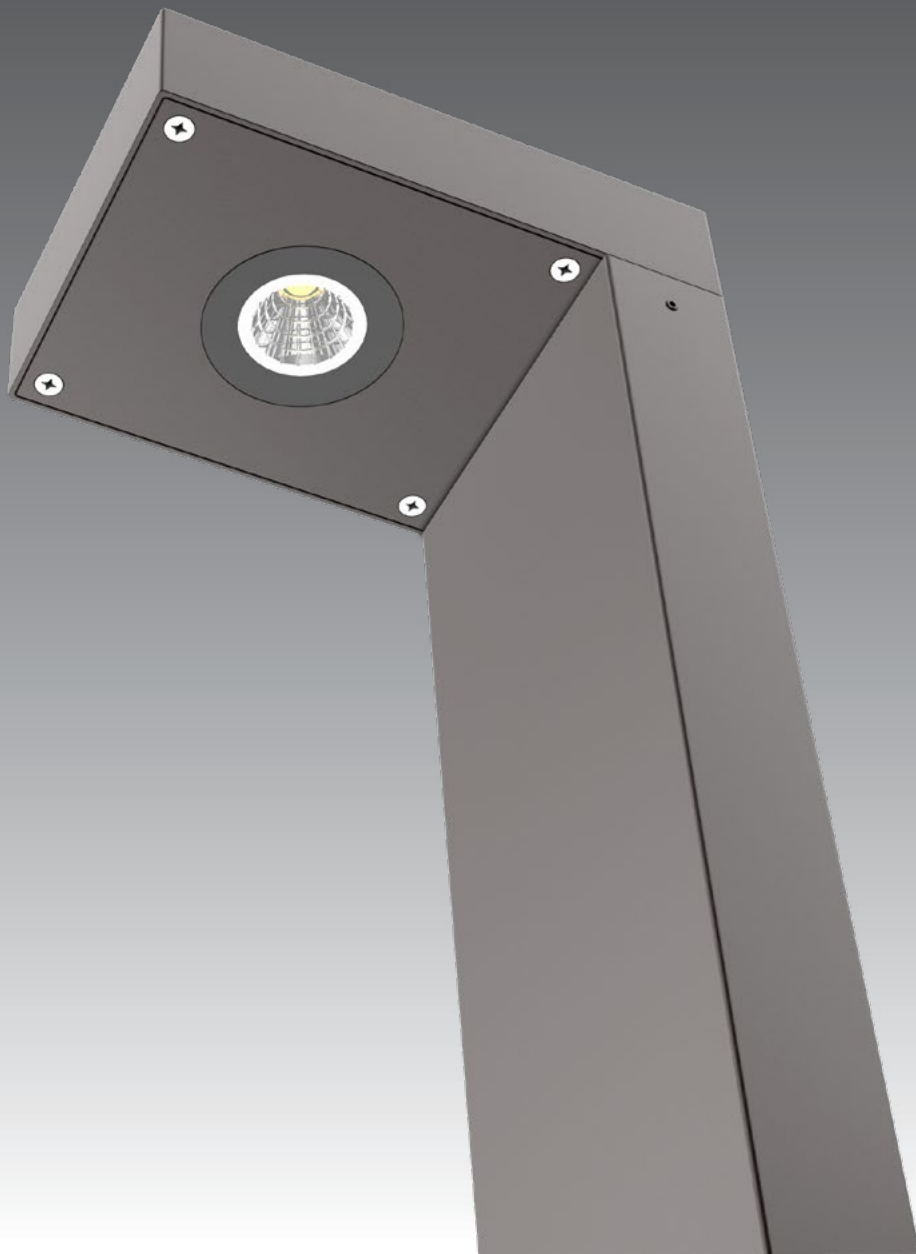




MACK LED BOLLARD

MACK LED BOLLARD





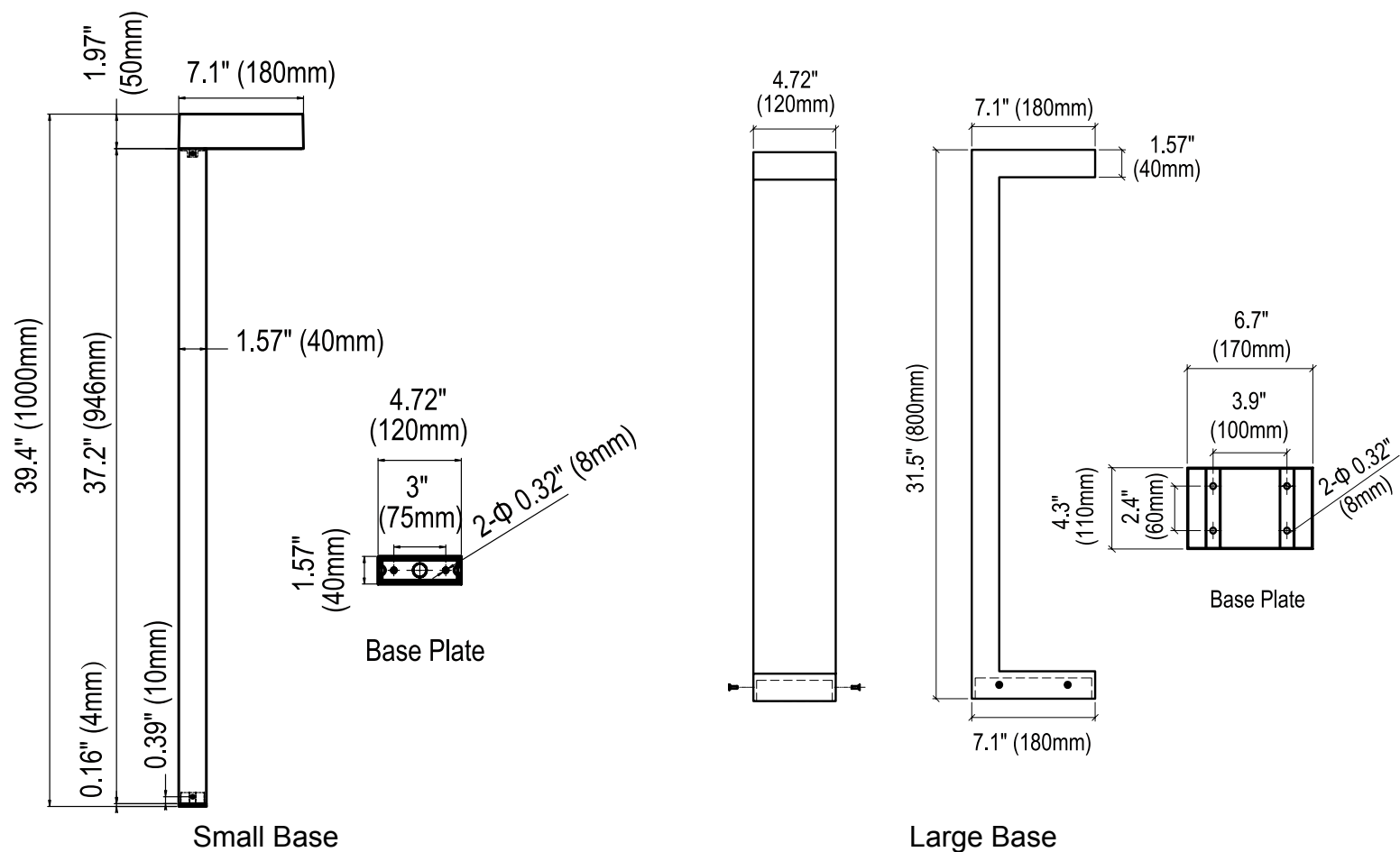
PERFORMANCE

Input Watts (Nominal): 10W
 Output Lumens (@5000K): 900lm
 LPW: 90
 Input Voltage: 120-277V, 50/60Hz
 Color Rendering Index: >80
 Working Temperature: -40°C to +40°C
 (-40 °F to 104°F)
 Power Factor: >0.9
 Total Harmonic Distortion: < 20%

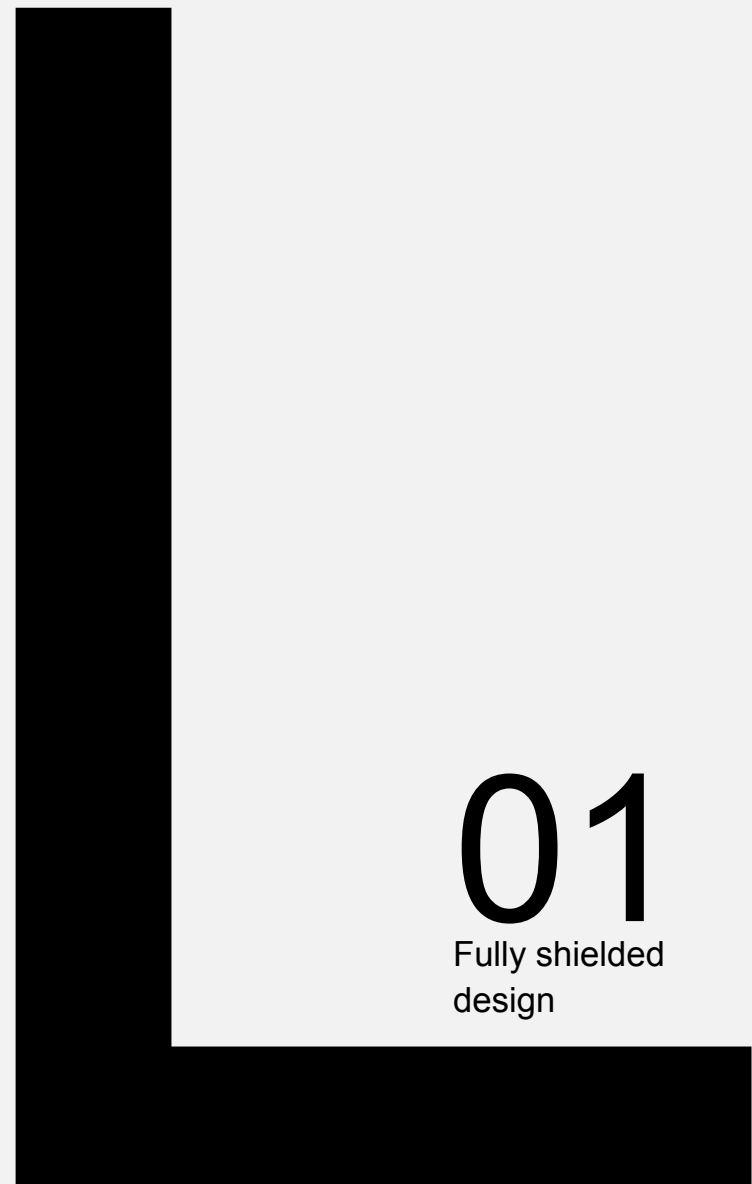
MACK LED BOLLARD

The MACK led bollard comes in simple and modern rectilinear design. This bollard has UV powder coated die cast high quality aluminum body, tempered safety glass, moulded silicone gasket and stainless steel screws. This bollard is an excellent choice for walkways, entrances, promenades, plazas, courtyards, driveways, bridges, and landscaped areas.

SPECIFICATION







01

Fully shielded design



02

Die cast aluminum body



03

Tempered safety glass





04

IP65 rated for wet location



ABOVE ALL Lighting, Inc.

 1135 Thomas Busch Highway,
Pennsauken, NJ 08110

 866-222-8866

 info@abovealllighting.com

 www.AboveAllLighting.com

©2022 ABOVE ALL all rights reserved